

MOTORHOME CHASSIS LISTINGS (Standard Suspension)

SPARTAN MOTORHOMES (STEER AXLE APPLICATIONS - FRONT) (continued)

K2 / K3 / Mountain Master / MC 2000	Year	Setting	Bilstein #	Bilstein Old #	Spartan#
IFS1200 & IFS1260					
<i>Air IFS (GVWF under 13000#)</i>	97-04	B6	24-186476	F4-BE5-2564-H0	24-186476
IFS1360					
<i>Air IFS (GVWF over 13k# & under 14k#)</i>	98-04	B6	24-027625	F4-BE5-2762-W0	0474-SS5-001
IFS1460					
<i>Air IFS (GVWF over 14k# & under 16k#)</i>	00-08	B6	24-191241	F4-BE5-C671-M0	
IFS1660					
<i>Air IFS(1st Generation GVWF over 16k# & under 18k#)</i>	04-05	B6	AK1391		
<i>Air IFS (2nd Generation GVWF over 16k# & under 18k#)</i>	06-08	B6	24-191234	F4-BE5-C433-M0	

Hendrickson Suspension

K2 / K3 / Mountain Master	Year	Setting	Bilstein #	Bilstein Old #	Spartan#
AirTek					
<i>Air Frt I-Beam 1st Generation</i>	08-09	B6	24-191210	F4-BE5-C423-M0	
<i>Air Frt I-Beam 2nd Generation</i>	2009	B6	24-191272	F4-BE5-E085-M0	
<i>Air Frt I-Beam 3rd Generation</i>					
<i>Newmar Allstar</i>	2009	B6	24-191302	F4-BE5-E339-M0	
Air IFS					
<i>(GVWF under 12000#)</i>	08-09	B6	24-191265	F4-BE5-D480-M0	

SPARTAN MOTORHOMES (AXLE APPLICATIONS - REAR)

Tuthill Suspensions	Year	Setting	Bilstein #	Bilstein Old #	Spartan#
Alpine / Summit	97-00	B6	24-186414	F4-B46-1725-H2	0377-SS5
EC 2000					
<i>Air Suspension</i>	94-97	B6	F4-B46-2068-M0		B46-2068
<i>Leaf Spring Suspension K100 (SPRING)</i>	94-99	B6	24-017329	F4-B46-1732-H1	B46-1732

K2 / K3 / Mountain Master / MC 2000	Year	Setting	Bilstein #	Bilstein Old #	Spartan#
102AR	91-95	B6	24-015943	F4-B46-1594-H0	0346-SS5
240AR	96-08	B6	24-186780	F4-BE5-D656-H0	0485-SS5-001

Hendrickson Suspensions

K2/K3/Mountain Master	Year	Setting	Bilstein #	Bilstein Old #	Spartan#
HAS	08-11	B6	24-191227	F4-BE5-C424-M0	
HTB	08-11	B6	24-191258	F4-BE5-D235-M0	

SPARTAN MOTORHOMES (AUXILIARY AXLE APPLICATIONS - REAR)

Hendrickson Suspensions	Year	Setting	Bilstein #	Bilstein Old #	Spartan#
Auxiliary Axle 12,000#	08-11	B6	24-191289	F4-BE5-E171-M0	

Tuthill Suspensions	Year	Setting	Bilstein #	Bilstein Old #	Spartan#
Auxiliary Axle 12,000#	09-11	B6	24-191296	F4-BE5-E300-M0	

Spartan Chassis I.D. (Fourth letter designation in VIN code): M=Mountain Master N=IC P=EC 2000 R=KC 1000 W=EC 2000

Model	Year	Setting	Front Shock	Old Part No.	Notes	Rear Shock	Old Part No.	Notes
TOYOTA MOTORHOMES								
Mini Motorhome	84-95	B6	24-184830	F4-B46-1772-H0	<i>Includes 1 ton dually</i>	24-002585	F4-B46-0258-H1	
VOLKSWAGEN MOTORHOMES								
Winnebago Rialta	93-03	B6	24-019118	F4-B46-1911-H2	<i>(Eurovan based) H-Series</i>	24-018302	F4-B46-1830-M1	
WORKHORSE MOTORHOMES								
Class A	00-04	B6	24-011730	F4-B46-1173-H4	<i>Widetrack IFS</i>	24-015875	F4-B46-1587-H3	
			Steering Damper	24-026451				
W20 / W22	05-11	B6	24-153249	F4-BE5-F324-H0		24-153256	F4-BE5-F325-H0	
	01-04	B6	24-186629	F4-BE5-B492-H0		24-186537	F4-BE5-A011-H0	

Notes:

- 16 - Axle requires four shock absorbers.
- 28 - Vehicles with GVW of 9000 lbs. or over, must use 24-014014 which is longer than 24-184632.
- 33 - Tag Axle requires two additional shock absorbers.
- 34 - Use regular chassis application on drive axle.
- 35 - Tag axles systems (rear position only), use OE application on drive axle.

Shocks are listed for standard chassis as supplied by the manufacturer. Some motorhomes utilize tag axles or modified rear suspensions which may preclude use of the shocks listed.

© 2011 ThyssenKrupp Bilstein of America. All rights reserved.

Printed in U.S.A. PP2455 8/11

Bilstein Gas Pressure Shock Absorbers
ThyssenKrupp Bilstein of America
1-800-537-1085 • bilsteinUS.com



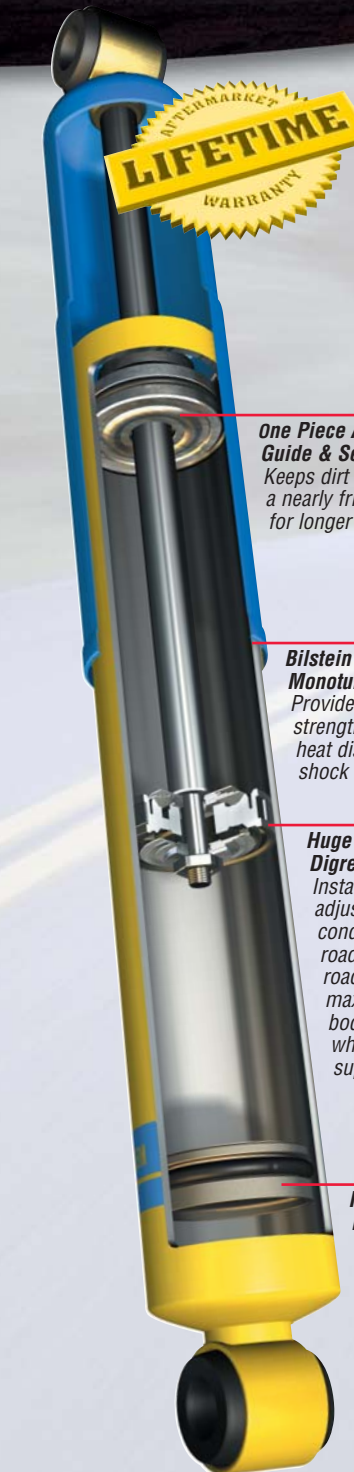
BILSTEIN® SHOCK ABSORBERS

Motorhome Shocks and Applications

Motorhome suspensions are often designed around old twin tube shock technology causing them to be a real handful to drive. That can be dramatically changed by upgrading to BILSTEIN shocks. BILSTEIN's technology leading monotube gas pressure design delivers superior performance and control. BILSTEIN monotube gas pressure shock absorbers virtually eliminate the excessive sway and bouncing down the road associated with conventional shocks. Plus, with BILSTEIN, you don't

get a generic "heavy duty" shock, but rather a shock designed for each specific motorhome application providing you with optimum ride quality and vehicle control.

This is why many of the top RV manufacturers have chosen BILSTEIN as their original equipment shock absorber. For any class of motorhome, BILSTEIN shocks are simply the best choice.



BILSTEIN PISTON

TWIN TUBE PISTON

One Piece Aluminum Rod Guide & Seal
Keeps dirt out and maintains a nearly friction-free surface for longer life.

Bilstein's Industry Leading Monotube Design
Provides superior tube strength while maximizing heat dissipation and shock life.

Huge Self-Adjusting Digressive Piston
Instantly reacts and adjusts for any condition...smooth road, rough road or no road. Provides maximum vehicle body motion control while maintaining superior comfort.

High Pressure Nitrogen Gas & "Floating" Dividing Piston
Eliminates the possibility of oil foaming and performance loss.

Monotube VS. Twin Tube Shock Design

The photo on the left dramatically illustrates the size difference between the working piston inside a BILSTEIN monotube shock and one found in a typical "twin tube" shock.

- The BILSTEIN piston has 228% larger surface area than the conventional twin tube piston offering greater sensitivity and superior vehicle control
- The self-adjusting digressive valving automatically adjusts to changing road input – no need to crawl under your coach to change settings
- Conventional twin tube shocks (shown at right) trap heat between the inner and outer tube leading to reduced damping performance and premature shock failure

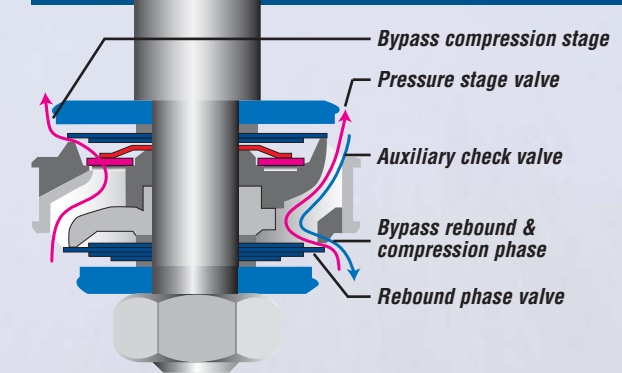


TWIN TUBE SHOCK

Inner Tube

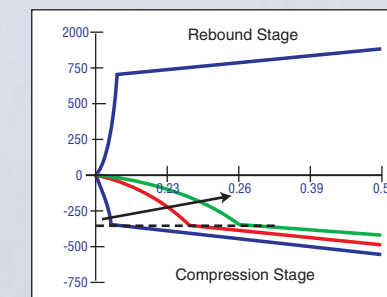
Outer Tube

BILSTEIN's Innovative New COMFITRAC™ Piston



- Bypass compression stage
- Pressure stage valve
- Auxiliary check valve
- Bypass rebound & compression phase
- Rebound phase valve

As America's roads have gotten worse, BILSTEIN engineers found the need to develop our unique COMFITRAC™ working piston. The COMFITRAC™ piston works on sudden, high frequency road input to reduce the harshness associated with conditions like expansion joints and pot holes resulting in overall improved ride comfort and handling characteristics.



The BILSTEIN COMFITRAC™ working piston allows for different valving curves with different approach gradients for both the compression and rebound phases.

BILSTEIN Shocks with COMFITRAC™ Piston feature:

- World class leading monotube design for superior heat dissipation
- Massive 46mm working piston
- High frequency bypass technology reduces road harshness input
- Fewer moving parts reduces wear for increased durability and reliable performance
- More value due to extended shock life through superior manufacturing quality
- Now available on most BILSTEIN motorhome shock applications

Bilstein Gas Pressure Shock Absorbers
ThyssenKrupp Bilstein of America
1-800-537-1085 • bilsteinUS.com



MOTORHOME CHASSIS LISTINGS (Standard Suspension)

Model	Year	Setting	Front Shock	Old Part No.	Notes	Rear Shock	Old Part No.	Notes
CHEVROLET / GMC MOTORHOMES								
Express / Savannah 3500	<i>Class C</i>	03-11	B6	24-187435	F4-BE5-G611-H0	24-025706	F4-BE5-2570-H0	
		3/97-02	B6	24-024808	F4-BE5-2480-H1	24-025706	F4-BE5-2570-H0	
		96-2/97	B6	24-024808	F4-BE5-2480-H1	24-024815	F4-BE5-2481-H0	
G3500 / G30	<i>Class C (Dual rear wheel models)</i>	75-96	B6	24-010252	F4-B46-1025-H0	24-011419	F4-B46-1141-H0	
GMC FWD Motorhome		72-78	B6	24-009409	F4-B46-0940-H1	24-213004	B46-0950	16
Kodiak / Endura	<i>With pin-to-pin rear</i>	04-11	B6	24-186650	F4-BE5-C253-H0	24-153256	F4-BE5-F325-H0	
	<i>With eye-to-eye rear</i>	04-11	B6	24-186650	F4-BE5-C253-H0	24-186667	F4-BE5-C254-H0	34
P1500/P2500/P3500		73-00	B6	24-011730	F4-B46-1173-H4	24-015875	F4-B46-1587-H3	
P10/P20/P30/P32/P37 Motorhome		84-00	Steering Damper	24-026451	F4-BE3-2645-H0			
P40 (MACK TRUCK)								
	<i>Straight Beam</i>	89-94	B6			24-015875	F4-B46-1587-H3	
P72	<i>Air Suspension</i>	95-99	B6	24-184885	F4-B46-2067-H0	F4-B46-2068-M0		
	<i>Spring Suspension</i>	95-99	B6	24-017312	F4-B46-1731-M1	24-017329	F4-B46-1732-H1	
P1500		63-72	B6	24-011730	F4-B46-1173-H4			
DODGE MOTORHOMES								
B100/B200/B300	<i>(GVW to 8300 lbs.) Class C</i>	70-00	B6	24-184632	F4-B46-0925-H0	28	24-184670	F4-B46-1137-H1
MB/BF/Mini Motorhome								
B200/B300	<i>(GVW over 9000 lbs.) Class C</i>	70-00	B6	24-014014	F4-B46-1401-H1	28	24-184670	F4-B46-1137-H1
MB/BF Mini Motorhome								
M&R 300/400/500/600		73-81	B6	24-013185	F4-B46-1318-M0		F4-B46-1319-W0	
Sprinter 2500	<i>(5 lug wheel)</i>	03-06	B4	22-123411	F4-VNE-C341-BT	19-064529	F4-BNE-6452-BC	
			B6			24-177702	F4-BE5-H770-H0	
Sprinter 3500	<i>(6 lug wheel)</i>	07-09	B6			24-167161	F4-BE5-G716-H0	
		03-06	B4	22-123404	F4-VNE-C340-BT	19-100180	F4-BNE-A018-BC	
			B6			24-177702	F4-BE5-H770-H0	
FLEETWOOD TRAILERS								
Avion Trailer		92-01	B6			F4-B36-1625-W0		16
FORD MOTORHOMES								
E33/E200/E250/E300/E350/E450	<i>Class C</i>	08-11	B6-C	33-187563	F4-BE5-H340-H0	33-186863	F4-BE5-E074-H0	
			B6	33-187570	F4-BE5-H341-H0	33-186900	F4-BE5-E205-H0	
	<i>Class C</i>	92-07	B6-C	33-187563	F4-BE5-H340-H0	33-186863	F4-BE5-E074-H0	
			B6	33-187570	F4-BE5-H341-H0	33-186900	F4-BE5-E205-H0	
	<i>Class C</i>	75-91	B6	24-184656	F4-B46-1105-H1	24-184663	F4-B46-1106-H1	
F53	<i>Class "A" Motorhome Chassis V10</i> <i>Vehicles without O.E. stabilizer, use bracket kit</i>	98-11	B6	24-187039	F4-BE5-E631-H0	24-187046	F4-BE5-E632-H0	
			Steering Damper	24-067355	F4-BE3-6735-H1	B4-BOA-0000213		
	<i>Class "A" Motorhome Chassis (V8)</i> <i>Vehicles without O.E. stabilizer, use bracket kit</i>	88-97	B6	24-187015	F4-BE5-E629-H0	24-187022	F4-BE5-E630-H0	
			Steering Damper	24-067355	F4-BE3-6735-H1	B4-BOA-0000213		
FORETRAVEL MOTORHOMES								
U-225 / U-240		92-95	B6	24-196635	F4-BE5-A314-H0	24-196642	F4-BE5-A315-H0	
U-270 / U-295 / U-300 / U-320		92-04	B6	24-018685	F4-B46-1868-M1	24-018685	F4-B46-1868-M1	
U-280		92-96	B6	24-018685	F4-B46-1868-M1	24-018685	F4-B46-1868-M1	
FREIGHTLINER MOTORHOMES								
FL50 / FL60		96-99	B6	24-186490	F4-BE5-2960-H0		F4-BE5-2961-H0	
M-Line		88-95	B6	24-013185	F4-B46-1318-M0		F4-B46-1319-W0	
Powerliner		97-02	B6			24-186483	F4-BE5-2581-H0	16
V-Line Air Suspension		94-98	B6	24-020725	F4-B46-2072-M0	24-020732	F4-B46-2073-M0	
V-Line Spring Suspension		90-97	B6	24-186414	F4-B46-1725-H2	24-020930	F4-B46-2093-M1	
	<i>(Except VC26RD /V917 / VB22RD) DIESEL PUSHER</i>							
X-Line Air Suspension		7/97-02	B6	33-025452	F4-BE5-2545-M0	24-186452	F4-BE5-2546-H0	
		95-6/97	B6	24-186445	F4-B46-2146-M0	24-186469	F4-B46-2147-M0	
X-Line Spring Suspension		89-97	B6	24-017299	F4-B46-1729-M0	F4-B46-1319-W0		
XCA / XC-Air	<i>Mono Beam Front</i>	02-11	B6	33-187525	F4-BE5-G835-H0	24-186483	F4-BE5-2581-H0	

MOTORHOME CHASSIS LISTINGS (Standard Suspension)

Model	Year	Setting	Front Shock	Old Part No.	Notes	Rear Shock	Old Part No.	Notes
FREIGHTLINER MOTORHOMES <small>(continued)</small>								
XCS	<i>(AirLiner Rear 02-11)</i>	02-11	B6	33-187525	F4-BE5-G835-H0	24-065412	F4-BE5-6541-H0	
Sprinter 2500	<i>(5 lug wheel)</i>	03-06	B4	22-123411	F4-VNE-C341-BT	19-064529	F4-BNE-6452-BC	
			B6			24-177702	F4-BE5-H770-H0	
Sprinter 3500	<i>(6 lug wheel)</i>	07-10	B6			24-167161	F4-BE5-G716-H0	
		03-06	B4	22-123404	F4-VNE-C340-BT	19-100180	F4-BNE-A018-BC	
			B6			24-177702	F4-BE5-H770-H0	
ISUZU MOTORHOMES								
NPR	<i>(GVW 13,250 lbs.)</i>	87-95	B6	AK1250		AK1251		
JOHN DEERE MOTORHOMES								
Class "A" Motorhome Chassis		86-88	B6	24-013185	F4-B46-1318-M0		F4-B46-1319-W0	
MERCEDES-BENZ MOTORHOMES <small>(also see Dodge)</small>								
Sprinter 3500	<i>(6 lug wheel)</i>	10-11	B6			24-167161	F4-BE5-G716-H0	
MONACO (ROADMASTER CHASSIS) MOTORHOMES								
Ambassador / Cayman / Knight / Neptune								
	<i>(R4R / RR4R)</i>	02-11	B6	24-186582	F4-BE5-A974-H0	24-186599	F4-BE5-A975-H0	
Diplomat / Endeavor								
	<i>(RR8R chassis) 4 frt / 4rear shocks</i>	04-11	B6-C	24-186605	F4-BE5-B402-H0	24-186612	F4-BE5-B403-H0	
Camelot / Diplomat / Imperial /								
Windsor / Sceptor	<i>(RR8S chassis)</i>	02-11	B6-C	24-187305	F4-BE5-F627-H0	16	24-187305	F4-BE5-F627-H0
		90-01	B6-C	24-187336	F4-BE5-F664-H0		24-187336	F4-BE5-F664-H0
Dynasty / Executive / Navigator / Signature								
	<i>(S-series chassis)</i>	08-11	B6-C	24-187138	F4-BE5-E687-H0	16	24-187145	F4-BE5-E688-H0
		02-07	B6	24-187312	F4-BE5-F628-H0	16	24-187312	F4-BE5-F628-H0
		90-01	B6-C	24-187312	F4-BE5-F628-H0	16	24-187312	F4-BE5-F628-H0
			B6	24-187329	F4-BE5-F629-H0	16	24-187329	F4-BE5-F629-H0
La Palma / Monarch / Vacationer	<i>F53 Chassis</i>	98-11	B6	24-187039	F4-BE5-E631-H0	24-187046	F4-BE5-E632-H0	
			Steering Damper	24-067355	F4-BE3-6735-H1	B4-BOA-0000213		
			88-97	B6	24-187015	F4-B46-1439-H1	24-187022	F4-BE5-E630-H0
			Steering Damper	24-067355	F4-BE3-6735-H1	B4-BOA-0000213		
La Palma / Monarch / Vacationer								
	<i>W20 / W22 Chassis</i>	05-11	B6	24-153249	F4-BE5-F324-H0	24-153256	F4-BE5-F325-H0	
		01-04	B6	24-186629	F4-BE5-B492-H0	24-186537	F4-BE5-A011-H0	
MOR / RYDE MOTORHOMES								
Torsional elastic suspension / poly-butyl (synthetic rubber springs)								
Single Axle System with 4 positions		86-89	B6			24-186421	F4-B46-2023-H0	16
Single Axle System with 2 positions		90-92	B6			24-013987	F4-B46-1398-W0	
P30 Single Axle System with 2 positions		90-92	B6			24-015875	F4-B46-1587-H3	
Tag Axle System - Combined with Drive Axle		87-90	B6			24-013987	F4-B46-1398-W0	35
SAFARI (BEAVER & MAGNUM CHASSIS) MOTORHOMES								
GM P30 Chassis		95-97	B6	24-011730	F4-B46-1173-H4	24-015875	F4-B46-1587-H3	
Isuzu NPR	<i>(GVW 13,250 lbs)</i>	92-94	B6	AK1250		AK1251		
Magnum Chassis	<i>(8 air bag system)</i>	98-06	B6	24-020930	F4-B46-2093-M1	24-020930	F4-B46-2093-M1	
Blue Max / Blue Streak / Velvet								
	<i>(4 bag or Torsional Elastic)</i>	92-04	B6	24-186438	F4-B46-2092-H1	24-020930	F4-B46-2093-M1	
Cheetah		00-04	B6	24-186438	F4-B46-2092-H1	24-020930	F4-B46-2093-M1	
Zanzabar		00-04	B6	24-186438	F4-B46-2092-H1	24-020930	F4-B46-2093-M1	
SPARTAN MOTORHOMES (STEER AXLE APPLICATIONS - FRONT)								
Tuthill Suspensions				Bilstein #	Bilstein Old #	Spartan#		
Alpine / Summit		97-00	B6	24-186414	F4-B46-1725-H2	0377-SS5		
EC 2000	<i>Air Suspension</i>	94-97	B6	24-184885	F4-B46-2067-H0	24-184885		
	<i>Leaf Spring Suspension K100 (SPRING)</i>	94-99	B6	24-017312	F4-B46-1731-M1	B46-1731		
K2 / K3 / Mountain Master / MC 2000				Bilstein #	Bilstein Old #	Spartan#		
510AR	<i>Air Frt I-Beam</i>	91-95	B6	24-186407	F4-B46-1593-H0	0345-SS5		
1906F	<i>Air Frt I-Beam</i>	96-04	B6	24-021500	F4-B46-2150-M0	0357-SS5		